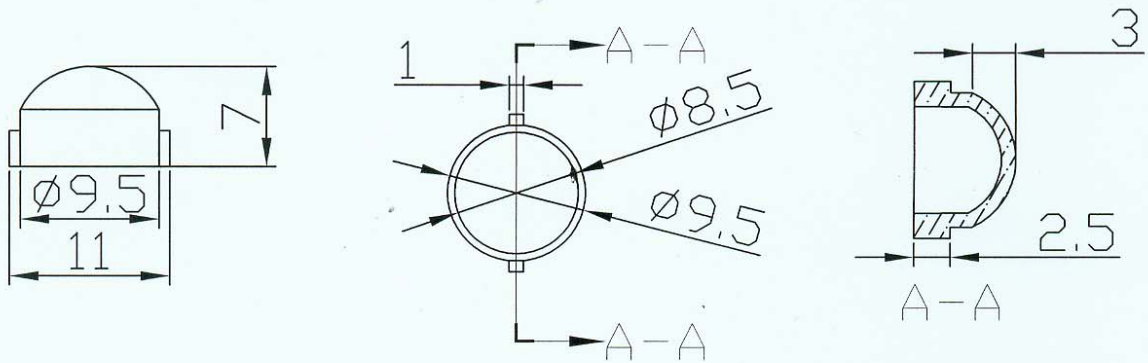
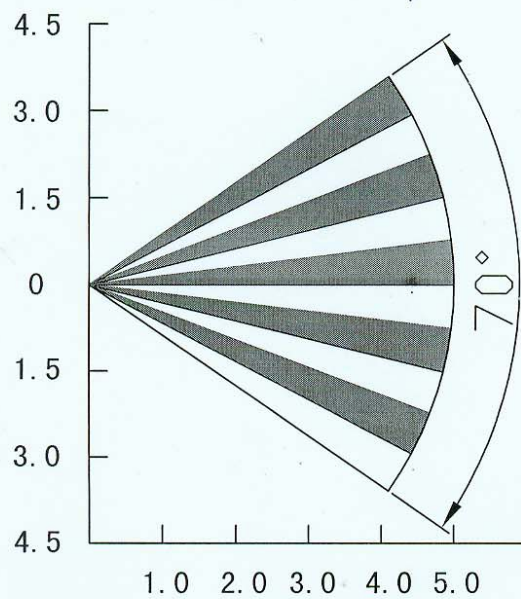


# FRESNEL LENS--8006

DIMENSION: (Unit=mm)



DETECTING AREA: (Unit=meter)



Focus: 5MM

Angle: 70°

Length: 5M